

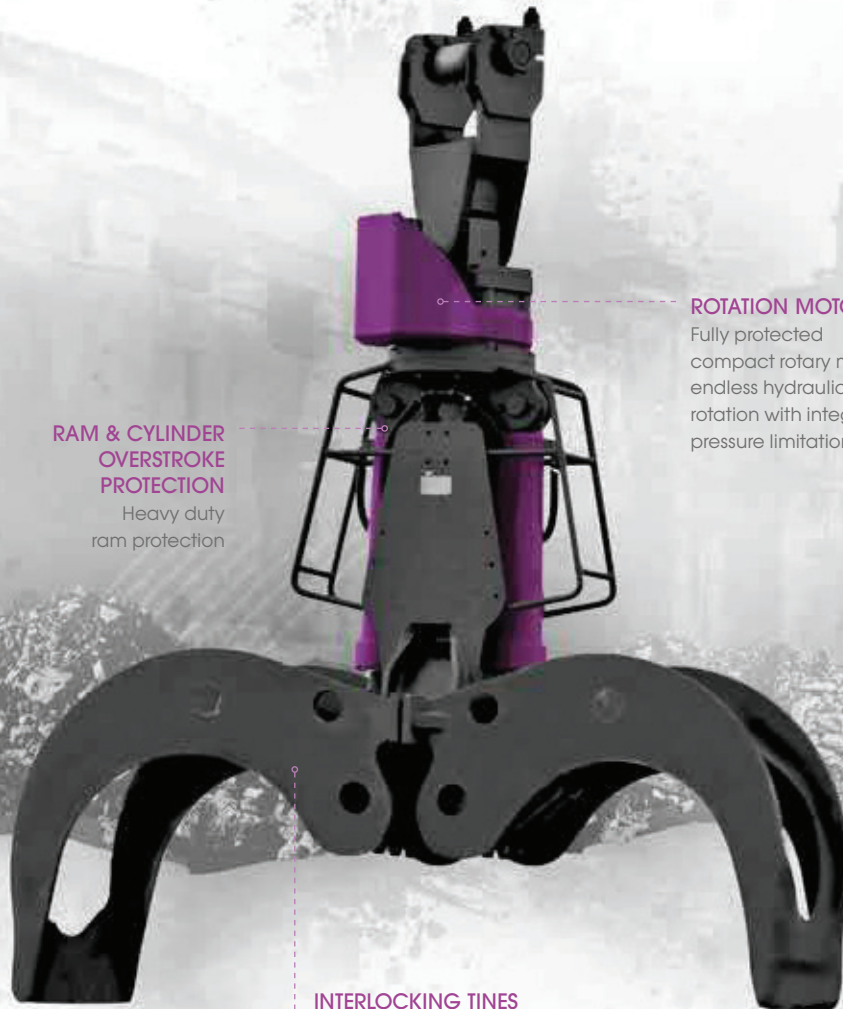
TIMBER GRABS

PRODEM OFFER TWO STYLES OF TIMBER GRABS SUITABLE FOR MATERIAL HANDLERS AND EXCAVATORS FROM 2-65 TON OPERATING WEIGHT.

THE PRODEM TIMBER GRABS CAN BE CUSTOMISED TO SUIT MOST APPLICATIONS AND REQUIREMENTS.

BENEFITS OF PRODEM TIMBER GRABS

- >> Heavy duty ram & cylinder overstroke protection.
- >> Fully protected compact rotary motor - endless hydraulic rotation with integrated pressure limitation.
- >> Interlocking tines allowing a tight clamping of the log or trunk
- >> Built using wear-resistant quality materials for maximum durability



RAM & CYLINDER OVERSTROKE PROTECTION

Heavy duty ram protection

ROTATION MOTOR

Fully protected compact rotary motor, endless hydraulic rotation with integrated pressure limitation

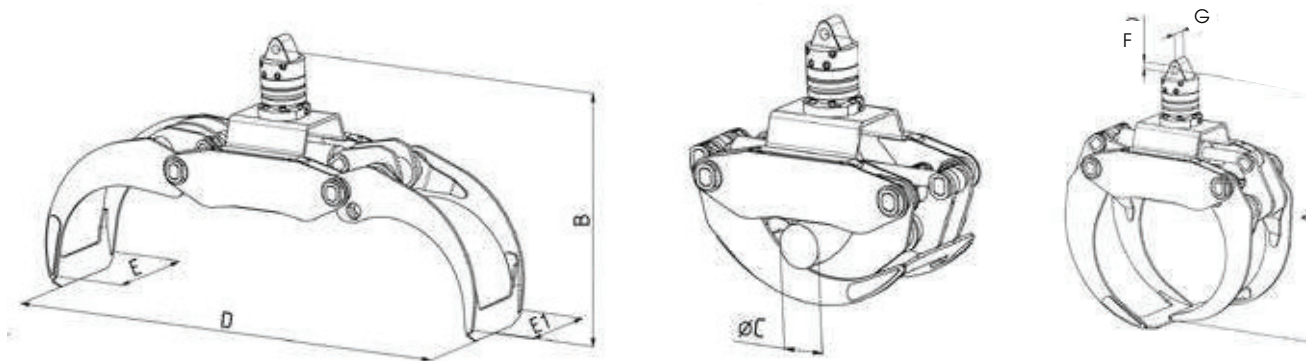
INTERLOCKING TINES

Allowing a tight clamping of the log or trunk

WEAR RESISTANT QUALITY MATERIALS

Used for maximum durability and minimum downtime

TECHNICAL SPECIFICATION



Model	Volume (m ³)	Working Weight (kg)	E+E1 (mm)	Height A Closed (mm)	Height B Open (mm)	Min Log Dia. C (mm)	Max Opening D (mm)	Rotation Connection Width G (mm)	Mounting Pin Diameter F (mm)	Material Handler Weight Class (t)	Excavator Weight Class (t)
TG028-L	0,28	185	335/375	1060	980	90	1280	84	30	2-7	2-7
TG035-L	0,35	235	470/520	1190	1115	100	1950	84	30	2-7	2-7
TG030	0,30	361	410/480	1315	1100	110	1890	90	40	2-7	8-14
TG040	0,40	441	460/530	1345	1130	150	2005	90	40	8-14	8-14
TG050	0,50	471	460/530	1410	1170	180	2145	90	40	8-14	8-14
TG4-500	0,5	780	520/660	2410	1960	150	1820	115	70	18-25	15-21
TG4-650	0,65	830	520/660	2490	2000	150	1950	115	70	18-25	15-21
TG4-800	0,8	900	660/860	2660	2085	200	2255	115	70	18-25	15-21
TG4.5-800	0,80	1385	840/700	2760	2095	50	2380	114	70	22-35	20-30
TG4.5-1000	1,0	1465	840/700	2830	2145	90	2515	114	70	22-35	20-30
TG4.5-1250	1,25	1515	840/700	2960	2190	110	2765	114	70	22-35	20-30
TG4.5-1500	1,5	1525	840/700	3080	2230	125	2990	114	70	22-35	20-30
TG4.5-1750	1,75	1700	840/700	3190	2240	150	3190	114	70	22-35	20-30
TG4.5-2000	2	1900	840/700	3315	2315	240	3465	114	70	22-35	20-30
TG5.5-1250	1,25	2200	840/700	3260	2460	100	3825	149	80	35-65	30-45
TG5.5-1500	1,5	2240	840/700	3385	2505	120	3055	149	80	35-65	30-45
TG5.5-1750	1,75	2300	840/700	3500	2545	140	3275	149	80	35-65	30-45
TG5.5-2000	2,0	2350	840/700	3500	2545	140	3275	149	80	35-65	30-45
TG5.5-2500	2,5	2470	840/700	3880	2675	170	4000	149	80	35-65	30-45